

THE HISTORIC  
**PARK**  
THEATRE & EVENT CENTER

**SPECTACLE**  
*Live*

# VENUE GUIDE

848 PARK AVE, CRANSTON RI 02910

THEPARKRI.COM





# CONTENTS

<b>Intro</b>	<b>1</b>
Primary Contacts	2
<b>Venue Overview</b>	<b>3</b>
Seating Chart	4
Parking	5
Map & Routing	6
<b>Tech Package</b>	<b>7</b>
Stage	8
Load-In	9
Lighting	10
Audio	11
<b>Hospitality</b>	<b>12</b>
Artist Spaces	13
Restaurants & Coffee Shops	15
Hotels	16
Medical Resources	17
Hardware & Music Stores	18

# VENUE MANAGEMENT



## HISTORIC PARK THEATRE

848 PARK AVE, CRANSTON, RI 02910

Box Office: Wednesday - Friday, 10am-2pm

[theparkri.com](http://theparkri.com)

Located just 5 miles from downtown Providence, RI, The Historic Park Theatre & Event Center celebrates its 100th year of operation in 2024. Recently refurbished, The Park is now a fully-equipped multi-purpose performing arts center with seating for approximately 1,000 patrons. Past notable performers include Pat Benatar & Neil Giraldo, Buddy Guy, Ann Wilson, Spyro Gyra, The Beach Boys, and Ani DiFranco. The venue is also home to the Rhode Island Comedy Hall of Fame.



## SPECTACLE LIVE

57 BEDFORD STREET, SUITE 115, LEXINGTON, MA 02420

[spectaclelive.com](http://spectaclelive.com)

Spectacle Live is a full-service live entertainment booking, marketing, ticketing, promoting, producing, and venue management organization based in Lexington, MA. We specialize in the marketing and presentation of concerts, theatre, comedy, family entertainment, and festival production in venues throughout New England.

*Spectacle Live uses the ETix ticketing platform*

# PRIMARY CONTACTS

## VENUE INQUIRIES/OPS

Sara Shevlin, *Venue Manager*  
sshevlin@spectaclelive.com  
(617) 631-1257 x 714

## RENTAL INQUIRIES

Kathleen Tormey, *Event Sales Manager*  
ktormey@spectaclelive.com  
(617) 631-1257 x 743

## PRODUCTION

Kevin Steinhauser, *Production Manager*  
ksteinhauser@spectaclelive.com  
(617) 631-1257 x 735

Adam Taylor, *Director of Production*  
ataylor@spectaclelive.com  
(617) 631-1257 x 733

## TALENT BUYING & AGENT RELATIONS

Andrew Holden, *Vice President of Booking*  
aholden@spectaclelive.com  
(617) 631-1257 x 705

Erik Raneo, *Senior Director of Booking*  
eraneo@spectaclelive.com  
(617) 631-1257 x 702

Kayt Marcos, *Talent Buyer*  
kmarcos@spectaclelive.com  
(617) 631-1257 x 715

## BOX OFFICE & TICKETING

Gen Shappell, *Director of Ticketing*  
gshappell@spectaclelive.com  
(617) 631-1257 x 716

## MARKETING

Dan Berube, *Director of Marketing*  
dberube@spectaclelive.com  
(617) 631-1257 x 703

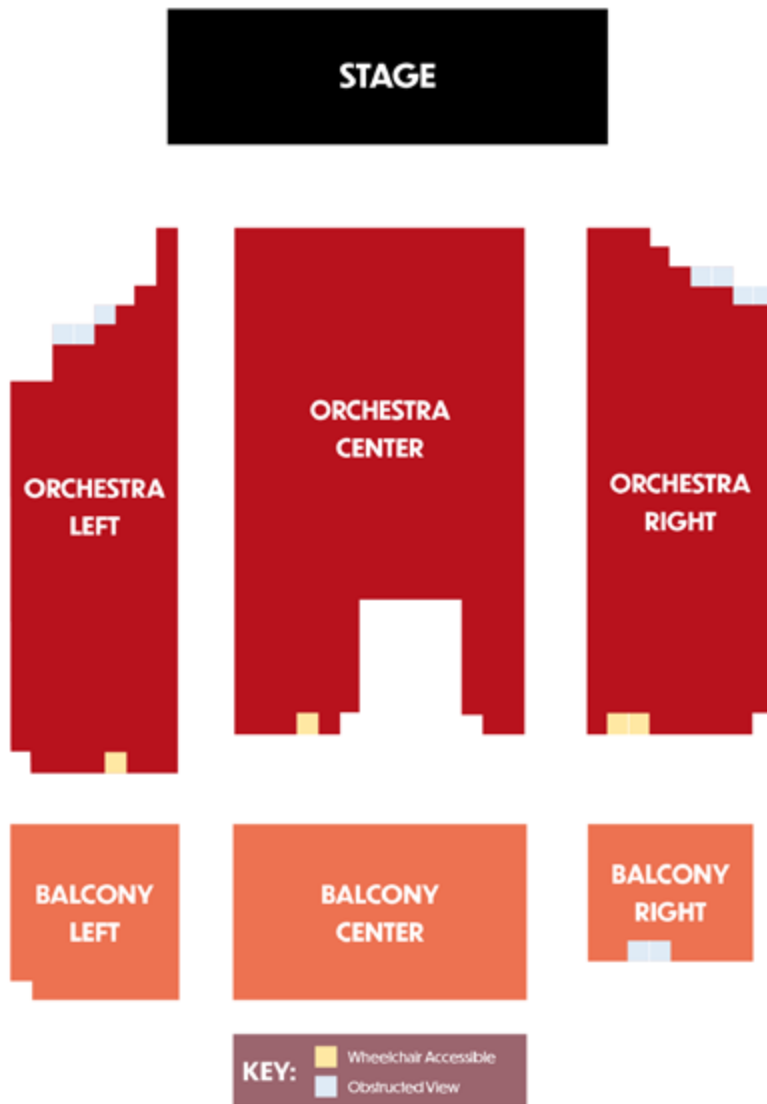


# I VENUE OVERVIEW

Building Layout | Seating Charts | Parking



# SEATING CHART





# PARKING



## Parking | CRANSTON

- STREET PARKING: NO LIMIT**  
FREE
- PARKING LOTS: NO LIMIT**  
FREE FOR PARK CUSTOMERS

# MAP & ROUTING

This venue conveniently routes with other Northeast buildings. For routing partners, please contact Andrew Holden or Erik Raneo.

**PLYMOUTH MEMORIAL HALL**  
Plymouth, MA - *48 miles from Park*  
Capacity: 1350

**NASHUA CENTER FOR THE ARTS**  
Nashua, NH - *77 miles from Park*  
Capacity: 750

**COLONIAL THEATRE**  
Laconia, NH - *136 miles from Park*  
Capacity: 750

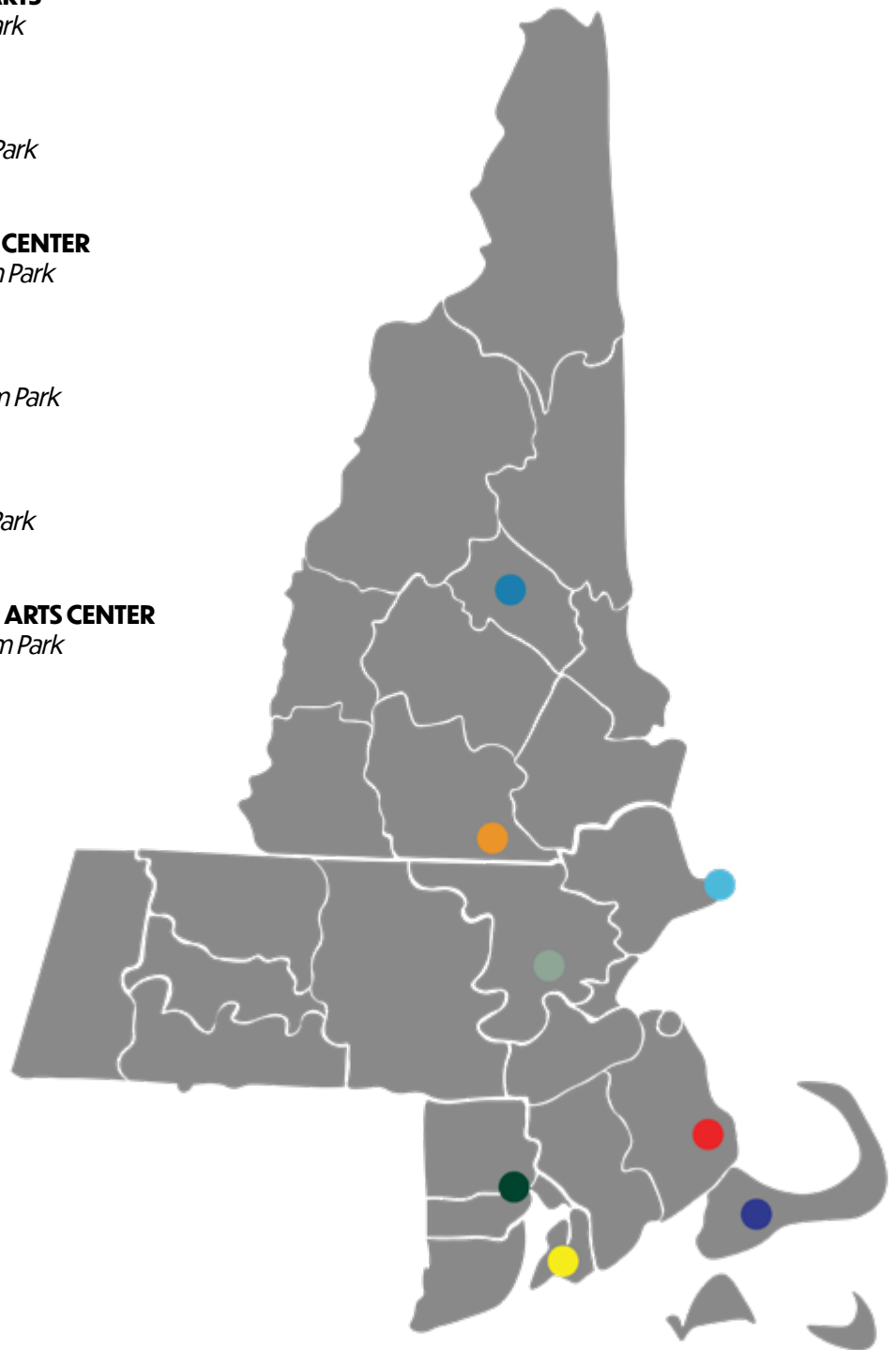
**SHALIN LIU PERFORMANCE CENTER**  
Rockport, MA - *85 miles from Park*  
Capacity: 330

**CARY MEMORIAL HALL**  
Lexington, MA - *53 miles from Park*  
Capacity: 820

**JPT FILM + EVENT CENTER**  
Newport, RI - *42 miles from Park*  
Capacity: 472

**BARNSTABLE PERFORMING ARTS CENTER**  
Barnstable, MA - *77 miles from Park*  
Capacity: 1200

**PARK THEATRE**  
Cranston, RI  
Capacity: 1000



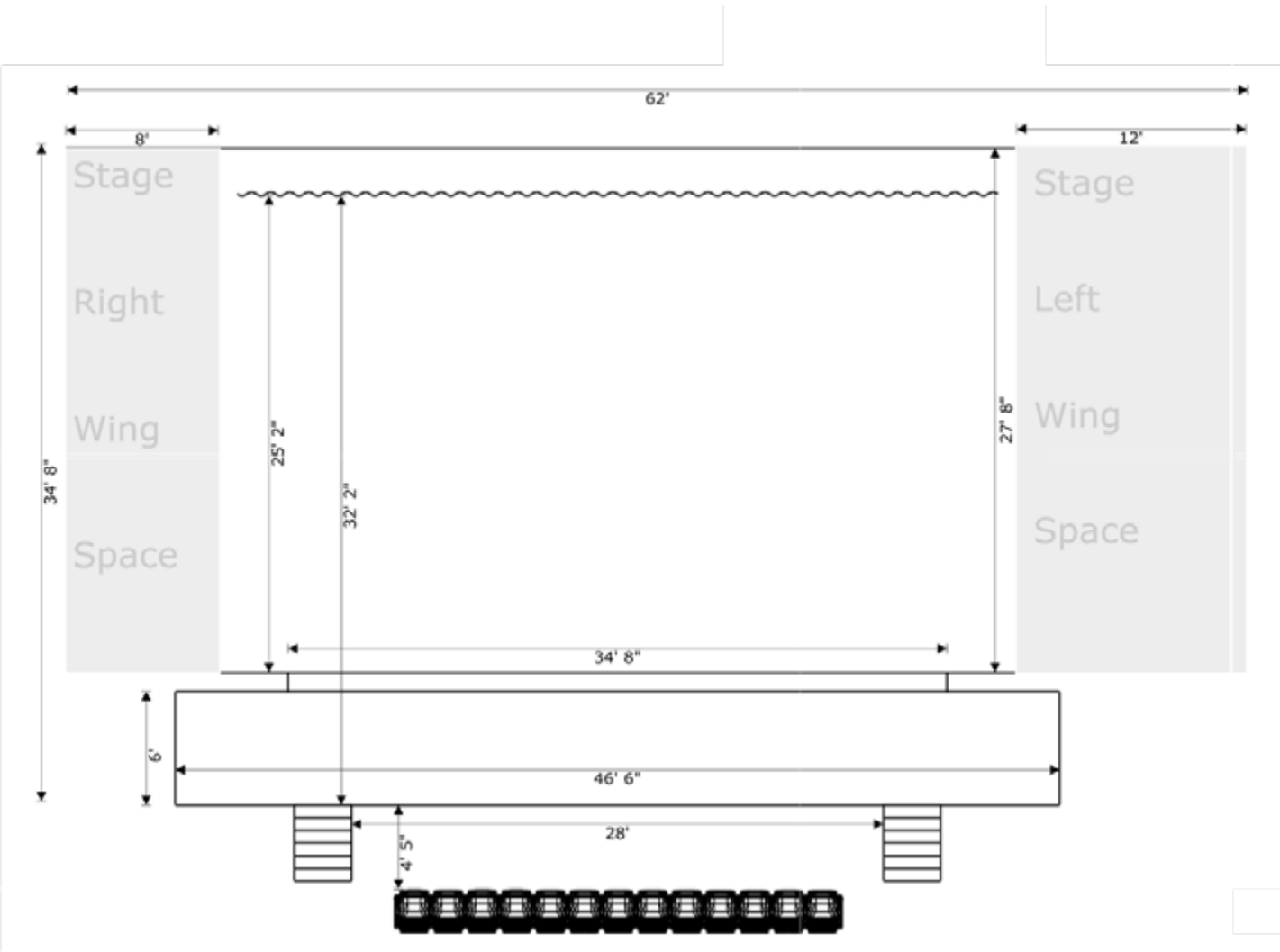




# || TECH PACKAGE

Stage | Load-In | Rigging | Lighting | Audio | Power | Atmospherics | Sound Board

# STAGE SPECIFICATIONS





# LOAD-IN

Load in is behind the park on Pontiac Ave.

Park Bus & Trailer along Pontiac Ave for load-in.

## LOAD-IN DOCK





# LIGHTING

## HOUSE CONSOLE

- ETC Ion Xe 20
- Full complement of LED Lighting Fixtures (both moving and non-moving)

## MONITORS

- (12X) Clair SRM 12" Bi-Amped Monitors
- (12X) Crown 3600 used for 12 separate mixes

## SCREEN

- Da-Lite 18' x 11' Fixed Screen (front and rear projection capabilities)

## PROJECTOR

- Barco RLM-W6 (6,000 lumen)
- (0.77 - 1) Fixed Short Thrown RDL Lens

# AUDIO

- QSC line array rig

## **MONITOR SYSTEM**

- D&B Audiotechnik M2

## **FOH / MONITORS**

- Yamaha CL5 Digital Console
- Console Midas M32



# HOSPITALITY

Artist Spaces | Restaurants & Coffee Shops | Hotels  
Medical Resources | Music Stores | Hardware Stores

# ARTIST SPACES

- **Dressing Room 1:** 1 bathroom (1 shower, 1 toilet, 1 sink)
- **Dressing Room 2:** 1 bathroom (1 shower, 1 toilet, 1 sink)



Dressing Room 1



Dressing Room 2



# ARTIST SPACES

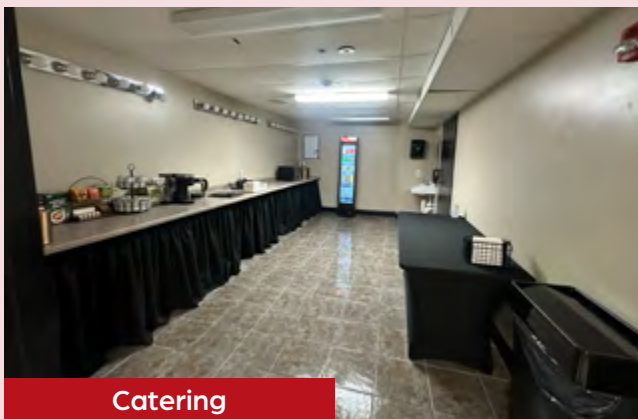
- **Laundry/TM Office:** 2 bathrooms (1 sink and toilet in each. No showers) Washer, Dryer
- **Green Room:** 1 bathroom (2 showers, 2 stalls, 1 sink)
- **Catering**



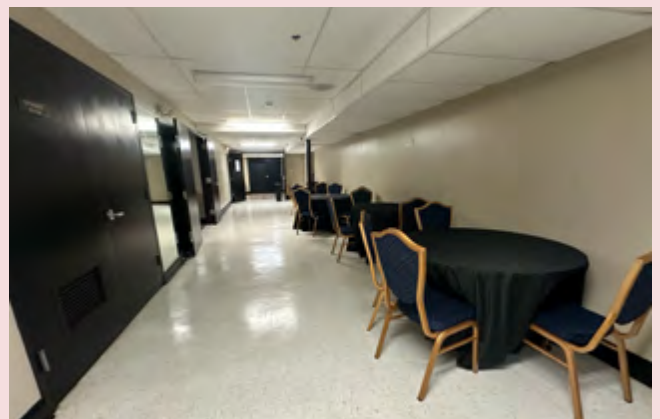
Laundry/TM Office



Green Room



Catering





# RESTAURANTS & COFFEE SHOPS

RESTAURANT PARTNER

## **The Brook Kitchen & Bar**

400 Knight St,  
Warwick, RI 02886  
(401) 734-4460

## **Bettola Pizza**

44 Rolfe Square  
Cranston, RI 02910  
(401) 522-5222

## **Sonias Deli**

816 Park Ave  
Cranston, RI 02910  
(401) 941-9300

## **Ginza Asian Bistro**

736 Park Ave  
Cranston, RI 02910  
(401) 415-8580

## **The Big Cheese & Pub**

606 Reservoir Ave  
Cranston, RI 02910  
(401) 467-8210

## **Alani's Bistro**

74 Rolfe Square  
Cranston, RI 02910  
(401) 642-8000

## **Cafe Ava**

48B Rolfe Square  
Cranston, RI 02910  
(401) 595-1249

## **Twin Oaks Restaurant**

100 Sabra St  
Cranston, RI 02910  
(401) 781-9693

## **La Roca Restaurant**

1150 Elmwood Ave  
Providence, RI 02907  
(401) 941-8090

## **Caffe Bon Ami**

1082 Park Ave  
Providence, RI 02907  
(401) 943-8400

# HOTELS

HOTEL PARTNER



## THE LOOM HOTEL

400 Knight St,  
Warwick, RI 02886  
(401) 734-4460

[Book Now](#)

\*Discounted rates available when booking directly with our hotel partners.

## ALOFT PROVIDENCE DOWNTOWN

191 Dorrance St,  
Providence, RI 02903  
(401) 252-0710

## HILTON PROVIDENCE

21 Atwells Ave  
Providence, RI 02903  
(401) 831-3900

## COURTYARD PROVIDENCE WARWICK

55 Jefferson Park Rd,  
Warwick, RI 02888  
(401) 467-6900

## OMNI PROVIDENCE HOTEL

1 W Exchange St,  
Providence, RI 02903  
(401) 598-8000

## GRADUATE BY HILTON PROVIDENCE

11 Dorrance St,  
Providence, RI 02903  
(401) 421-0700

# Medical Resources

## **GARDEN CITY TREATMENT CENTER**

1150 Reservoir Ave,  
Cranston, RI 02920  
(401) 946-2400

## **RHODE ISLAND HOSPITAL**

593 Eddy St  
Providence, RI 02903  
(401) 444-4000

## **WOMEN & INFANTS HOSPITAL**

101 Dudley St,  
Providence, RI 02905  
(401) 274-1100

## **THE MIRIAM HOSPITAL**

164 Summit Ave,  
Providence, RI 02903  
(401) 793-2500

# Hardware Stores

## **DURFEE TRUE VALUE HARDWARE**

62 Rolfe Square,  
Cranston, RI 02920  
(401) 461-0800

## **LOWE'S**

247 Garfield Ave  
Cranston, RI 02920  
(401) 275-2250

# Music Stores

## **NOLL GUITARS**

173 Macklin St,  
Cranston, RI 02920  
(401) 275-0880

## **DAN'S MUSIC CENTER**

961 Namquid Dr,  
Warwick, RI 02888  
(401) 467-8080